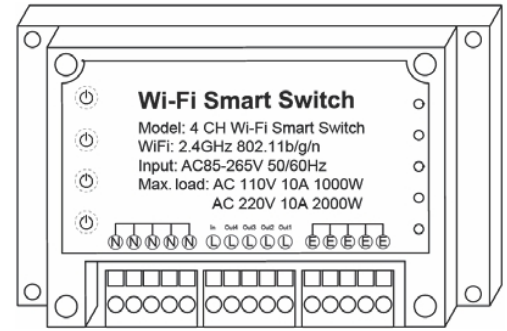


Relay Module



TECHNICAL SPECIFICATION

WiFi standard: 2.4GHz b/g/n

Input voltage: 100-240V AC

Output voltage: 100-240V AC

Max. load: 240V 10A/gang

Max. total load: 240V 16A

