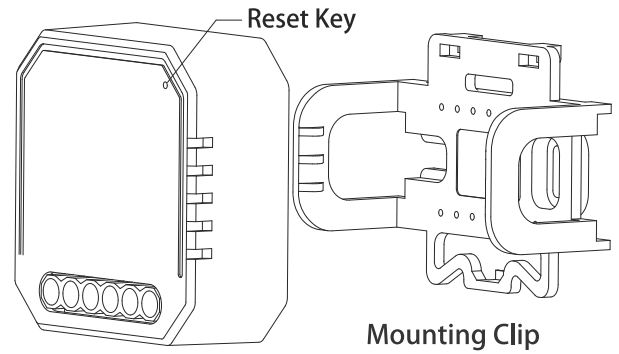
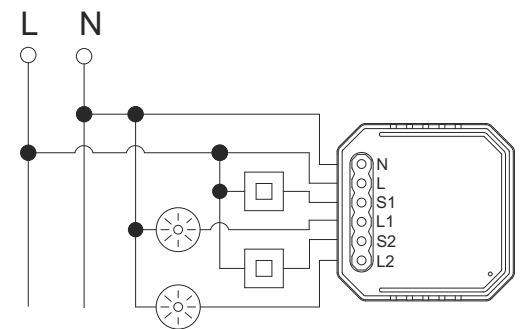


Converter Switch



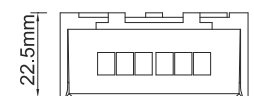
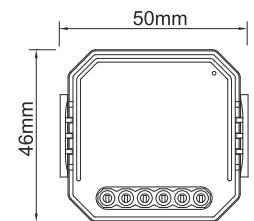
TECHNICAL SPECIFICATION

Product type	2 Gang Wi-Fi Switch Module
Voltage	220-240V AC 50-60Hz
Current	
Max. load	2*1150W / 2*150W for LED lamp
WiFi frequency	2.4GHz - 2.4835GHz WIFI
Operation temp.	-10°C - +40°C
Case temp.	Tc: +80°C (Max.)
Operation range	≤ 200 m
Dims (WxDxH)	46x46x18mm(without clip)
IP rating	IP20
Warranty	3 years



EMC Standard (EMC)	EN 300 328 V2.1.1)2016-11), EN 301489-1 V2.1.1)2017-02(, EN 301489-17 V3.1.1)2017-02), EN 62311 :2008, EN 61000-6-1:2007, EN 61000-6-3:2007+A1:2011
Safety Standard (LVD)	IEC 60669-2-1:2002/AMD1:2008/ AMD2:2015, IEC 60669-1:1998/ AMD1:1999/AMD2:2006, EN 60669-2-1:2004+A1 :2009+ A2:2010 , EN 60669-1:2018
RoHS Standard (RoHS)	2011/65/EU, (EU) 2015/863
Radio Equipment (RED)	ETSI EN 300 328 V2.1.1)2016-11(

with mounting clip



without mounting clip

